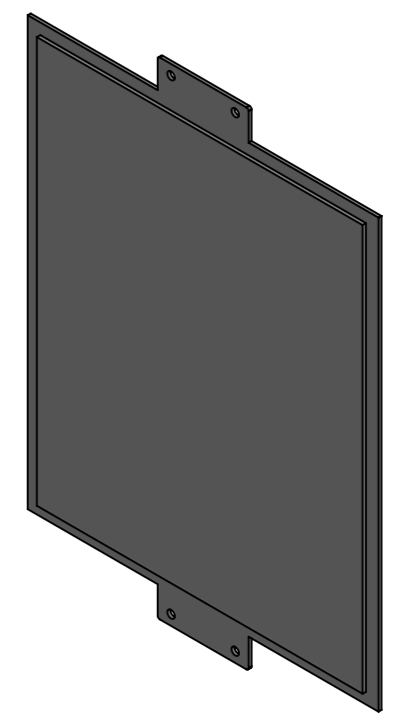
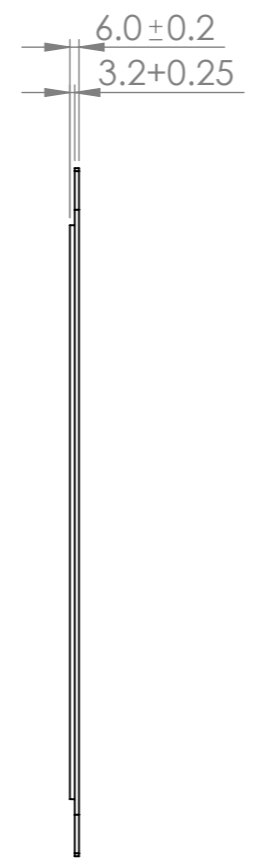
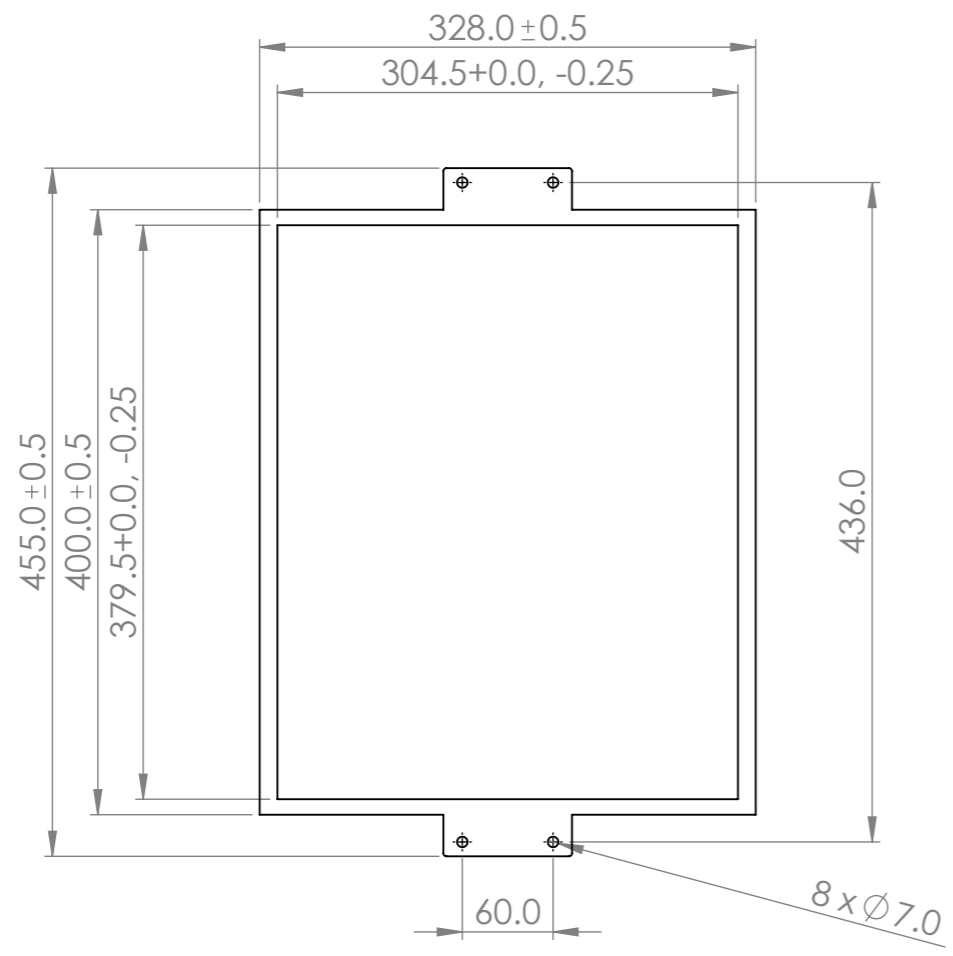


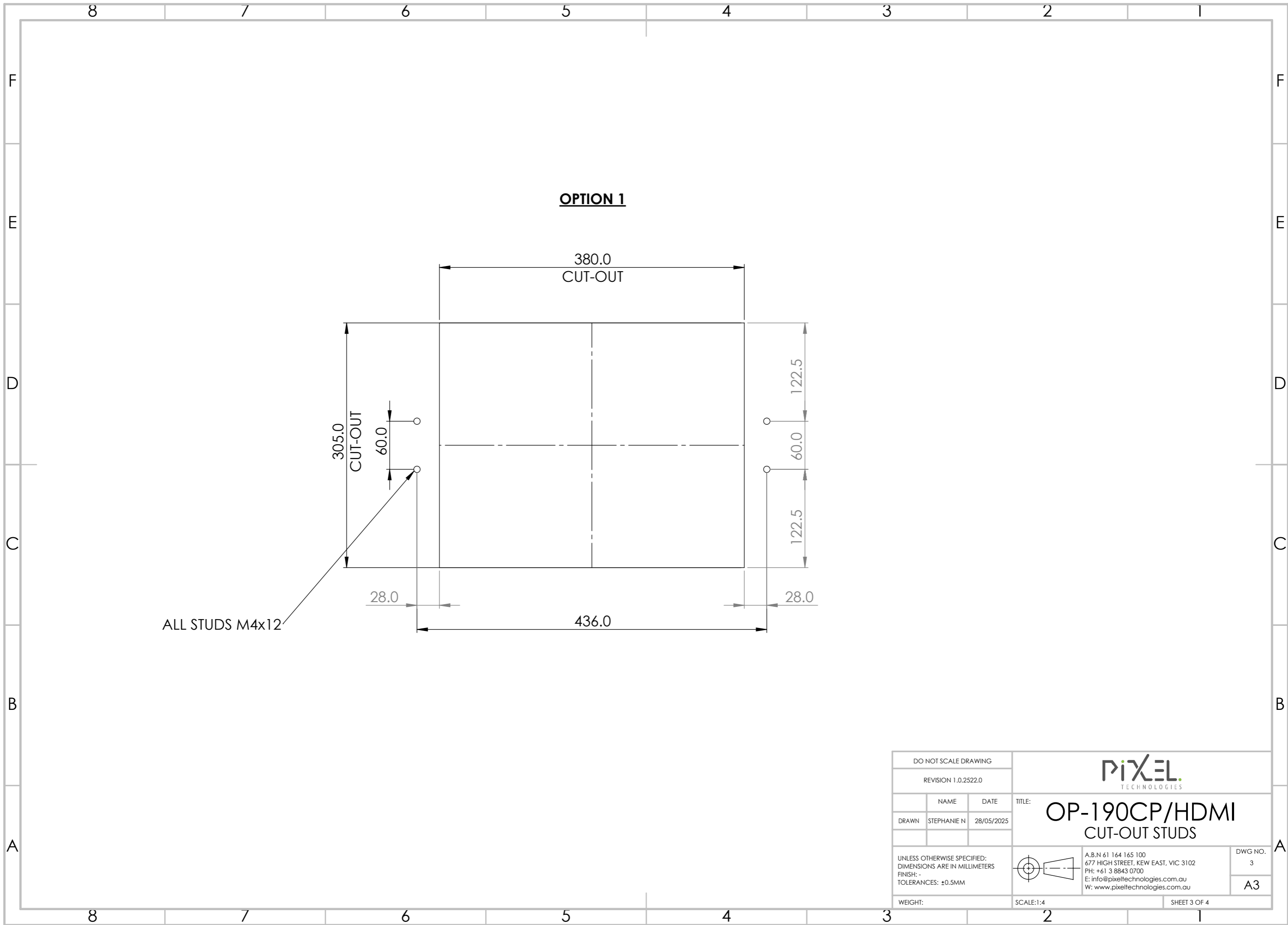
INCLUDES FRONT LENS WITH PN:  
**PLC\_190CP [2.0]**

DO NOT SCALE DRAWING				
REVISION 1.0.2522.0				
NAME	DATE	TITLE: <b>OP-190CP/HDMI</b> DIMENSION DRAWING		
DRAWN	STEPHANIE N			28/05/2025
UNLESS OTHERWISE SPECIFIED: DIMENSIONS ARE IN MILLIMETERS FINISH: MATTE TOLERANCES: $\pm 0.5$ MM			A.B.N 61 164 165 100 677 HIGH STREET, KEW EAST, VIC 3102 PH: +61 3 8843 0700 E: info@pixeltechnologies.com.au W: www.pixeltechnologies.com.au	DWG NO. 1 <b>A3</b>
WEIGHT:	SCALE: 1:5		SHEET 1 OF 4	



\*REBATE FOR 2-3MM MOUNTING MATERIAL.  
CUSTOM REBATE SIZE AVAILABLE UPON REQUEST.

DO NOT SCALE DRAWING				
REVISION 1.0.2522.0				
NAME	DATE	TITLE: <b>PLC_190CP[2.0]</b> <b>DIMENSIONS</b>		
DRAWN: STEPHANIE N	28/05/2025			
UNLESS OTHERWISE SPECIFIED: DIMENSIONS ARE IN MILLIMETERS FINISH: NATURAL TOLERANCES: ±0.5MM			A.B.N 61 164 165 100 677 HIGH STREET, KEW EAST, VIC 3102 PH: +61 3 8843 0700 E: info@pixeltechnologies.com.au W: www.pixeltechnologies.com.au	DWG NO. 2
WEIGHT:	SCALE: 1:5		SHEET 2 OF 4	A3



ALL STUDS M4x12

**OPTION 1**

380.0  
CUT-OUT

305.0  
CUT-OUT

28.0

436.0


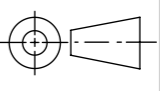
122.5

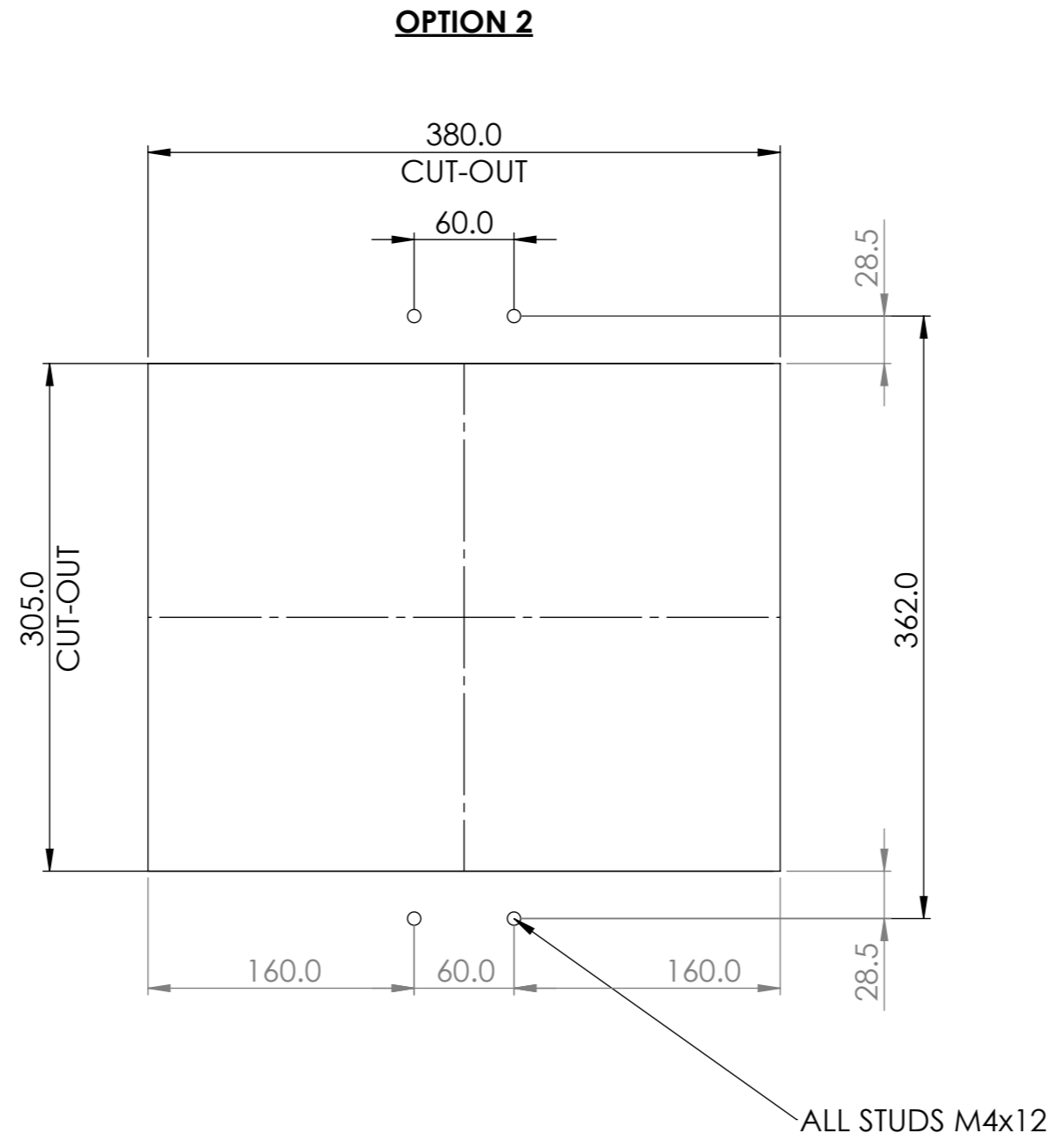
60.0

122.5

28.0

60.0

DO NOT SCALE DRAWING			
REVISION 1.0.2522.0			
	NAME	DATE	TITLE: <b>OP-190CP/HDMI CUT-OUT STUDS</b>
DRAWN	STEPHANIE N	28/05/2025	
UNLESS OTHERWISE SPECIFIED: DIMENSIONS ARE IN MILLIMETERS FINISH: - TOLERANCES: ±0.5MM			A.B.N 61 164 165 100 677 HIGH STREET, KEW EAST, VIC 3102 PH: +61 3 8843 0700 E: info@pixeltechnologies.com.au W: www.pixeltechnologies.com.au
WEIGHT:			SCALE:1:4
		SHEET 3 OF 4	



DO NOT SCALE DRAWING			
REVISION 1.0.2522.0			
	NAME	DATE	TITLE: <b>OP-190CP/HDMI CUT-OUT STUDS</b>
DRAWN	STEPHANIE N	28/05/2025	
UNLESS OTHERWISE SPECIFIED: DIMENSIONS ARE IN MILLIMETERS FINISH: - TOLERANCES: ±0.5MM			A.B.N 61 164 165 100 677 HIGH STREET, KEW EAST, VIC 3102 PH: +61 3 8843 0700 E: info@pixeltechnologies.com.au W: www.pixeltechnologies.com.au
WEIGHT:	SCALE:1:4		DWG NO. 4 A3
		SHEET 4 OF 4	