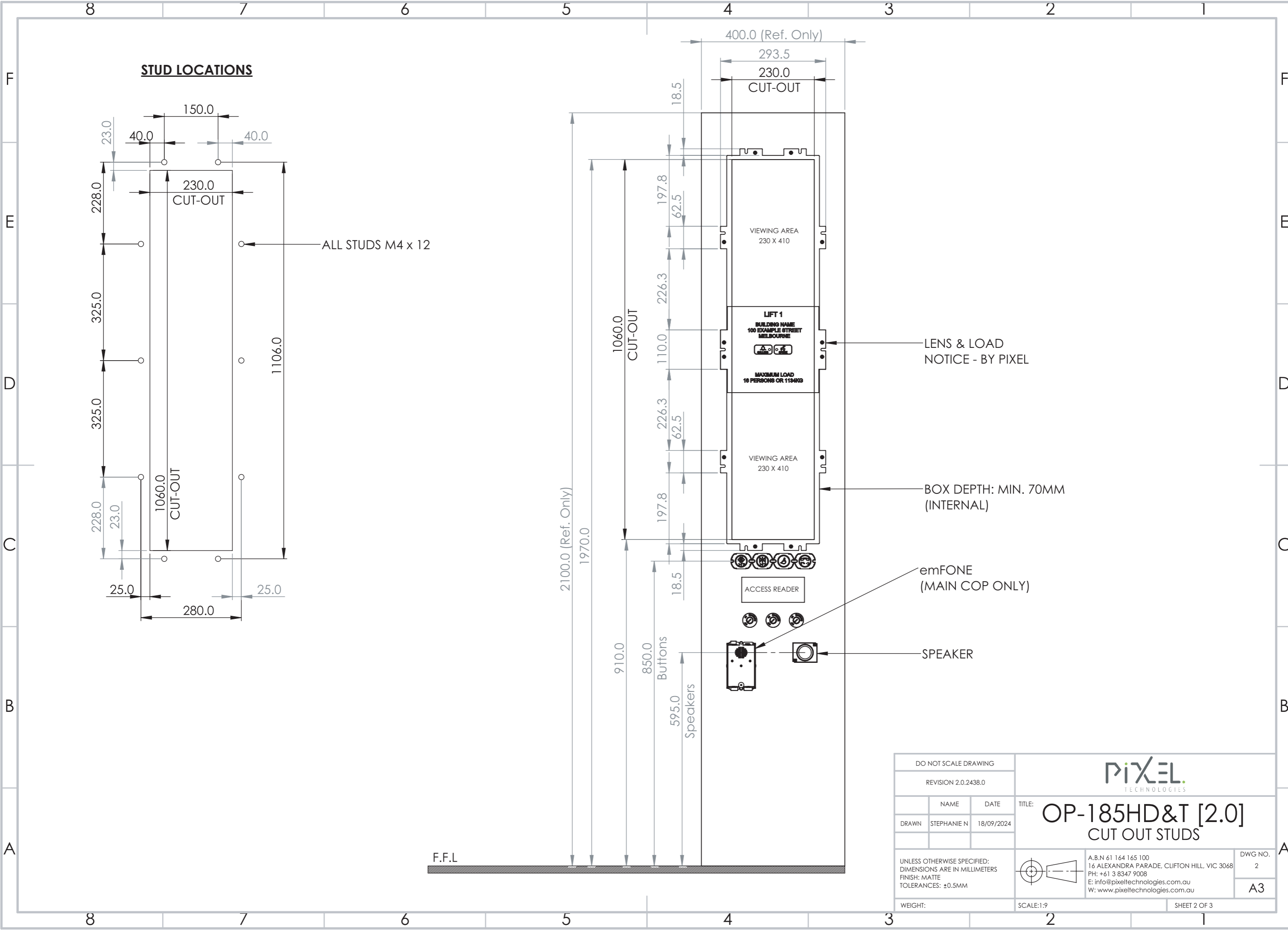


INCLUDES FRONT LENS WITH PN:  
**PLC\_OP-185HD&T [2.0]**

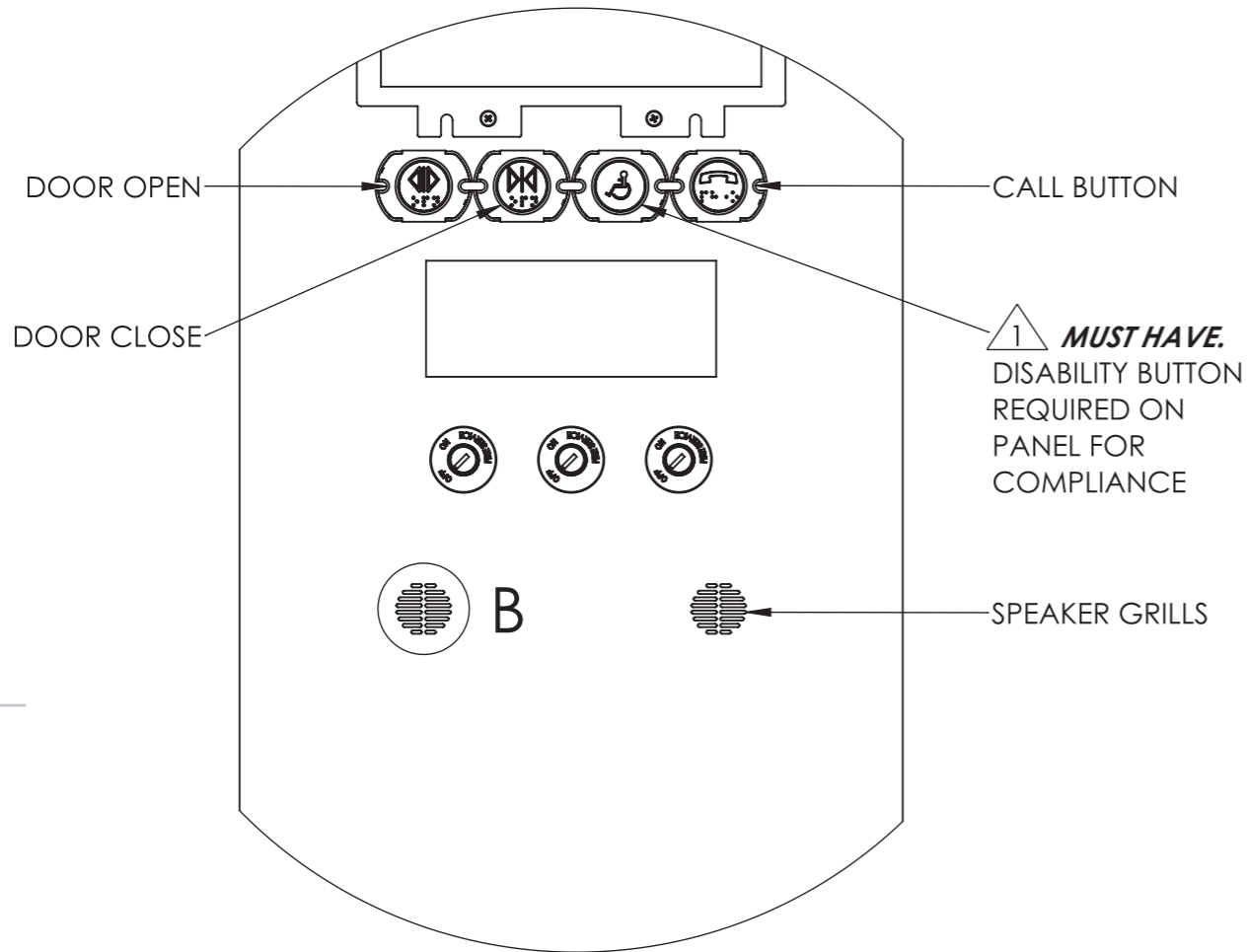
DO NOT SCALE DRAWING				<b>TITLE: OP-185HD&amp;T [2.0]</b> DIMENSION DRAWING
REVISION 2.0.2438.0				
NAME	DATE	A.B.N 61 164 165 100 16 ALEXANDRA PARADE, CLIFTON HILL, VIC 3068 PH: +61 3 8347 9008 E: info@pixeltechnologies.com.au W: www.pixeltechnologies.com.au		
DRAWN	STEPHANIE N			
UNLESS OTHERWISE SPECIFIED: DIMENSIONS ARE IN MILLIMETERS FINISH: MATTE TOLERANCES: ±0.5MM			DWG NO.	1
WEIGHT:		SCALE: 1:6	A3	
		SHEET 1 OF 3		



DO NOT SCALE DRAWING				<b>TITLE:</b> <b>OP-185HD&amp;T [2.0]</b> <b>CUT OUT STUDS</b>	
REVISION 2.0.2438.0					
NAME	DATE				
DRAWN	STEPHANIE N	18/09/2024			
UNLESS OTHERWISE SPECIFIED: DIMENSIONS ARE IN MILLIMETERS FINISH: MATTE TOLERANCES: ±0.5MM				A.B.N 61 164 165 100 16 ALEXANDRA PARADE, CLIFTON HILL, VIC 3068 PH: +61 3 8347 9008 E: info@pixeltechnologies.com.au W: www.pixeltechnologies.com.au	
WEIGHT:	SCALE: 1:9	SHEET 2 OF 3		DWG NO. 2 <b>A3</b>	

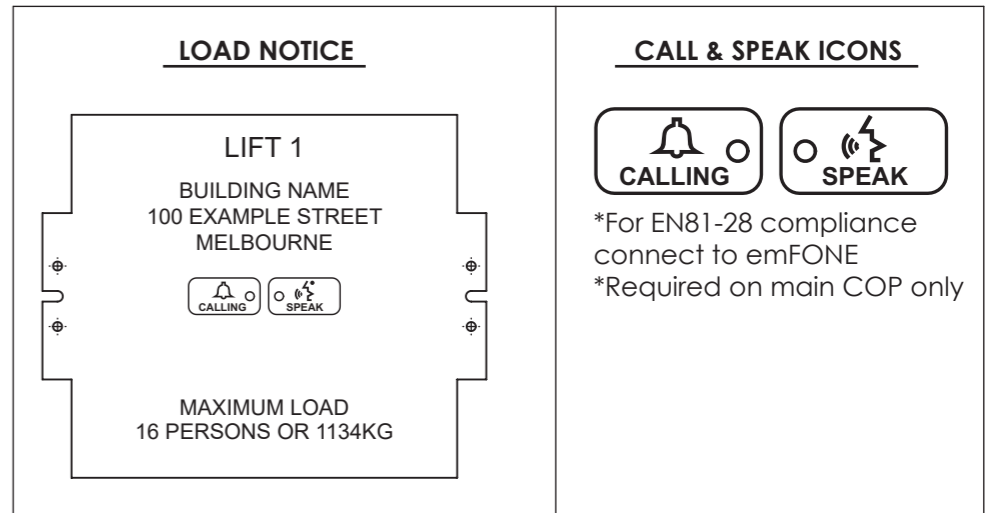
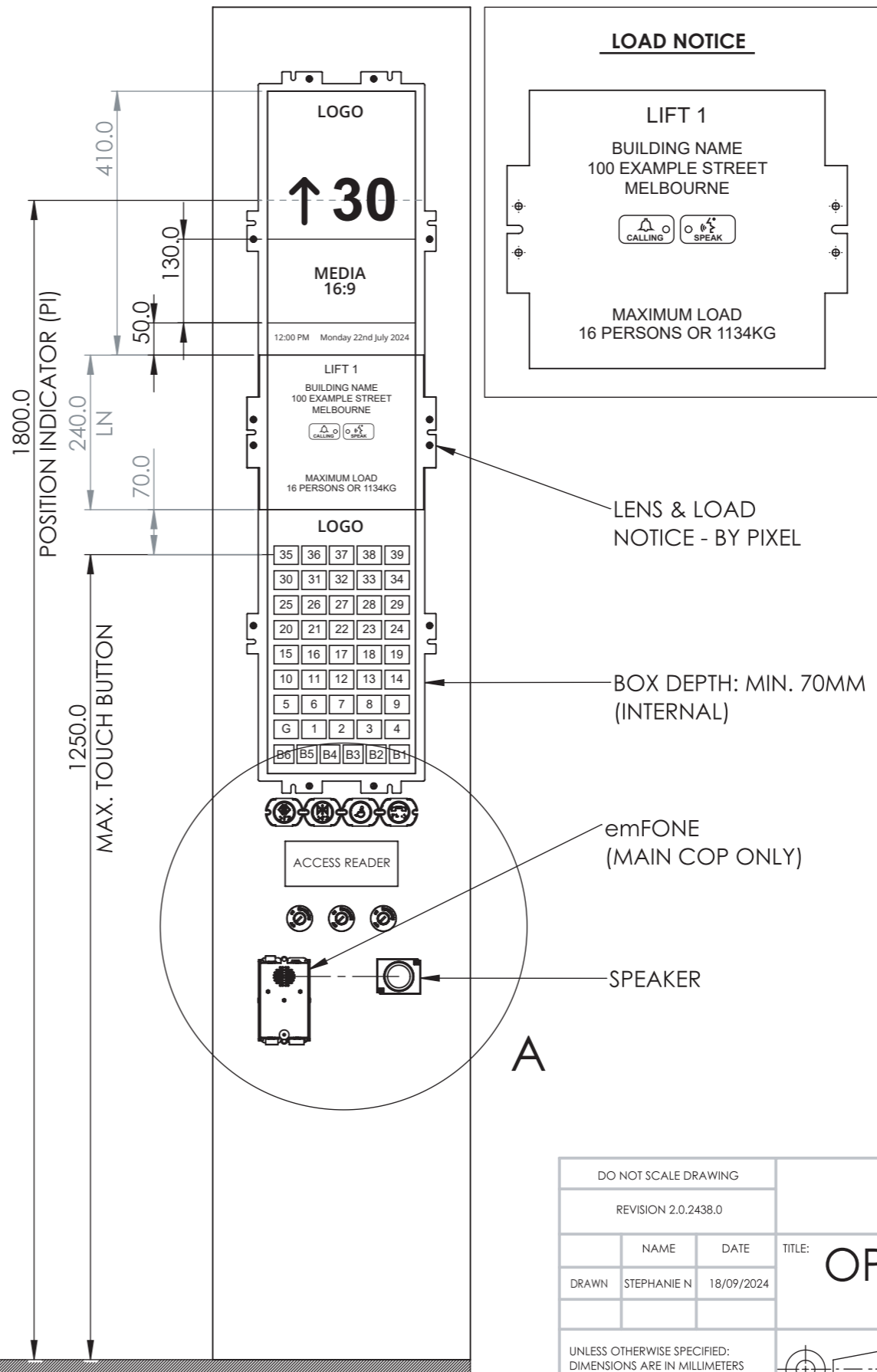
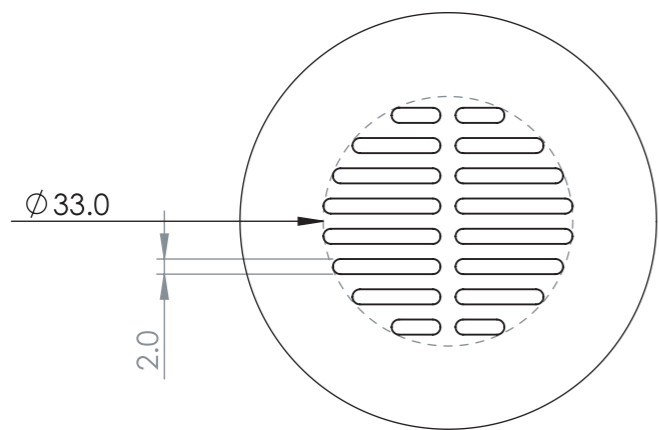
**DETAIL A**  
SCALE 2:9

**RECOMMENDED COP LAYOUT**



**DETAIL B**  
SCALE 1:1

**RECOMMENDED SPEAKER GRILLS**



F.F.L

DO NOT SCALE DRAWING				<b>TITLE: OP-185HD&amp;T [2.0]</b> COP LAYOUT
REVISION 2.0.2438.0				
NAME	DATE			
DRAWN: STEPHANIE N	18/09/2024			
UNLESS OTHERWISE SPECIFIED: DIMENSIONS ARE IN MILLIMETERS FINISH: MATTE TOLERANCES: $\pm 0.5$ MM			A.B.N 61 164 165 100 16 ALEXANDRA PARADE, CLIFTON HILL, VIC 3068 PH: +61 3 8347 9008 E: info@pixeltechnologies.com.au W: www.pixeltechnologies.com.au	
WEIGHT:	SCALE: 1:9		DWG NO. 3 <b>A3</b>	
		SHEET 3 OF 3		