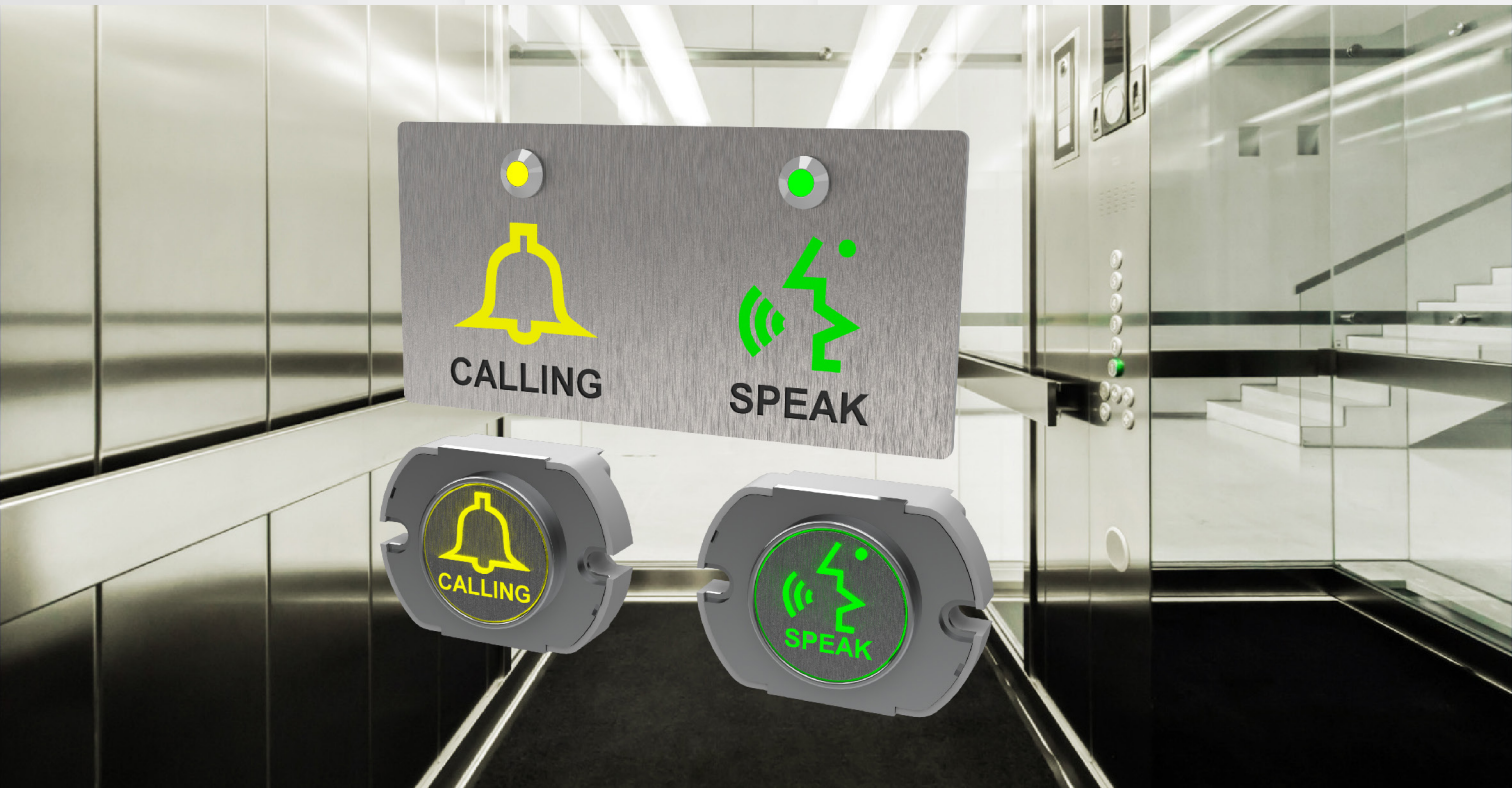


emFONE EN81-28 Legends



STUD MOUNT

PB-8R-CALL



STANDBY

ACTIVE

PB-8R-SPEAK



STANDBY

ACTIVE



EN81-28 COMPLIANT

Upgrade your existing Car Operating Panel (COP) with Pixel Technologies' EN81-28 compliant elevator presses.

Designed to improve visibility, functionality, and regulatory compliance, these presses seamlessly integrate with your existing lift system for a modern and reliable upgrade.

Future-proof your system.

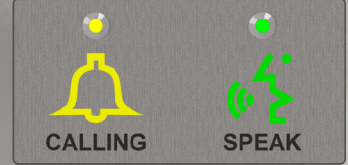
Stay ahead of industry regulations with an upgrade that ensures compliance with the latest safety standards, offering peace of mind for both building owners and passengers.

FEATURES

- Brilliant Backlighting:**
 The presses feature an advanced backlighting system that ensures the legend is clearly illuminated and easily visible from long distances and wide angles, enhancing user experience and safety.
- EN81-28 Compliant:**
 Connect your retrofitted COP to the Pixel emFONE system, ensuring your elevator meets the latest EN81-28 emergency communication regulations for passenger safety.
- Mounting Options:**
 - Stud Mount:** Uses existing button cutouts for easy installation without the need for additional modifications.
 - Panel Mount:** Offers both landscape and portrait options.

PANEL MOUNT

CS-CSP-L



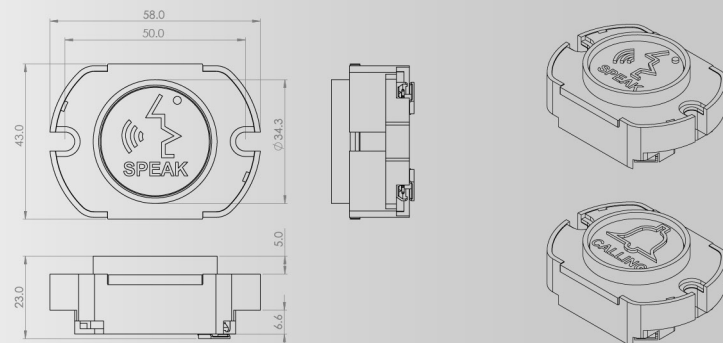
LANDSCAPE

CS-CSP-P

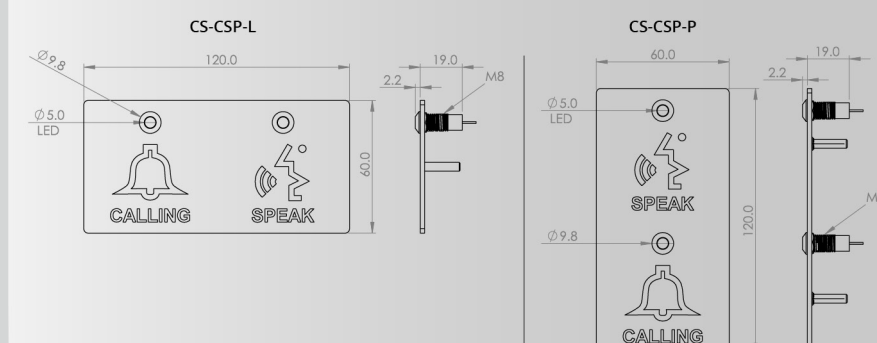


PORTRAIT

DIMENSIONS



DIMENSIONS





+61 3 8843 0700



www.pixeltechnologies.com.au
info@pixeltechnologies.com.au



Melbourne | Sydney
Brisbane | Singapore |
Malaysia | Christchurch

© 2024 Pixel Technologies Pty Ltd
Supplier No. E5405

Proudly Designed & Manufactured in Australia for the World

Pixel Technologies assumes no responsibility for any errors that may appear in this publication.
All images are for illustration purposes only. Specifications are subject to change without prior notice.
All information stated in the brochure is correct at time of printing and subject to change without notice.