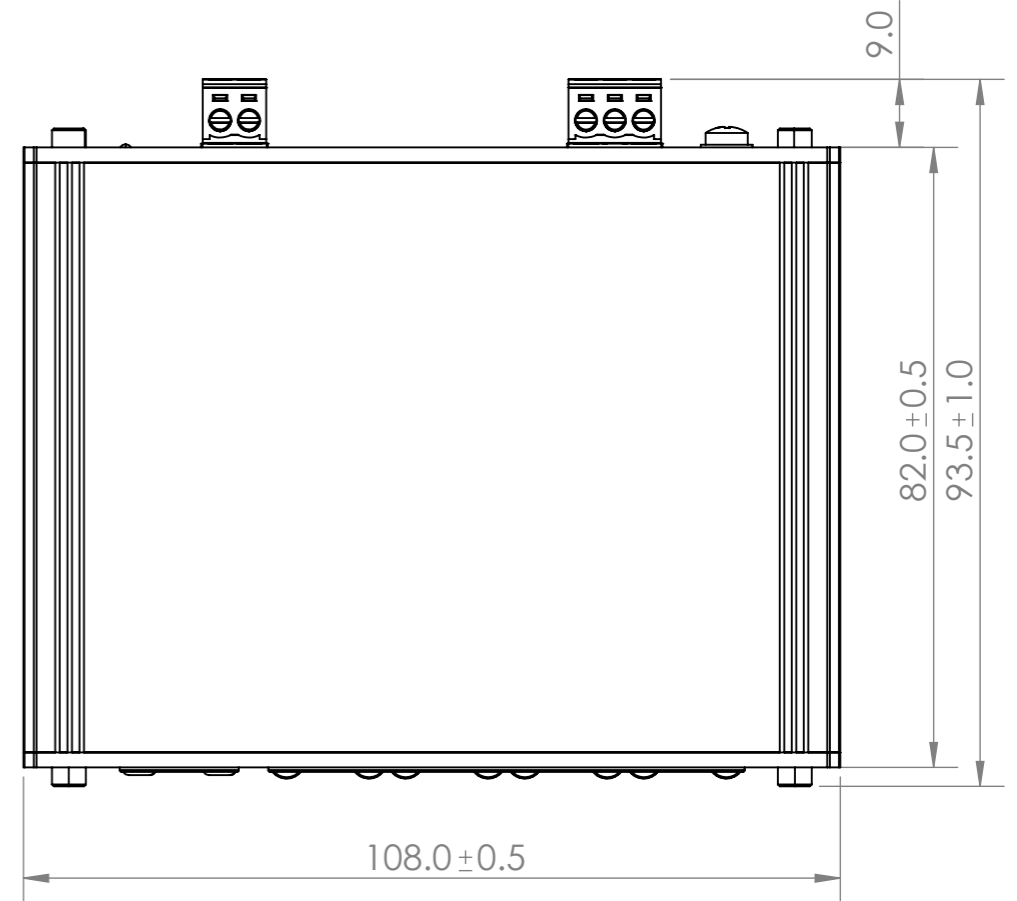
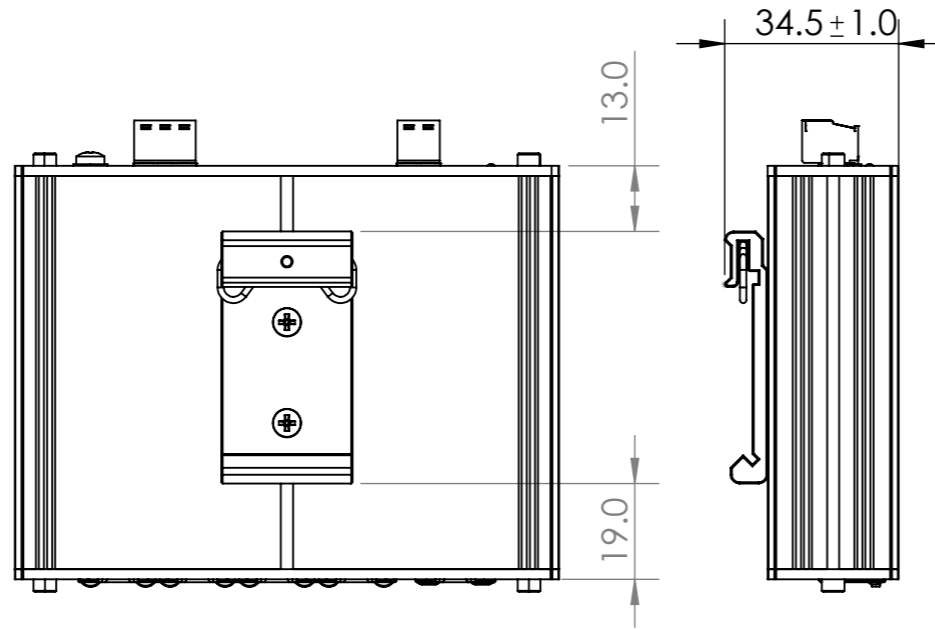
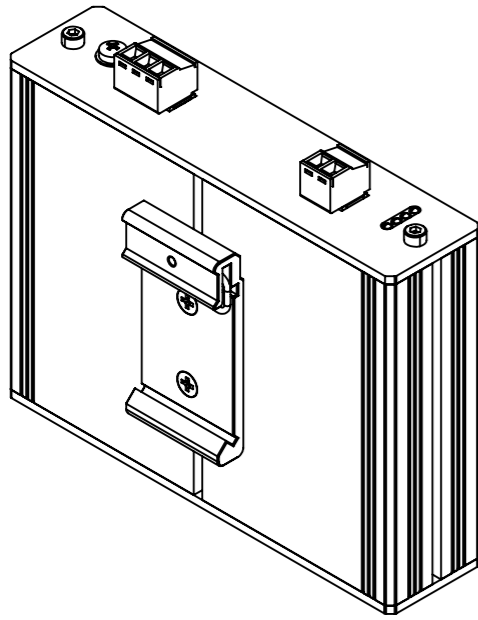
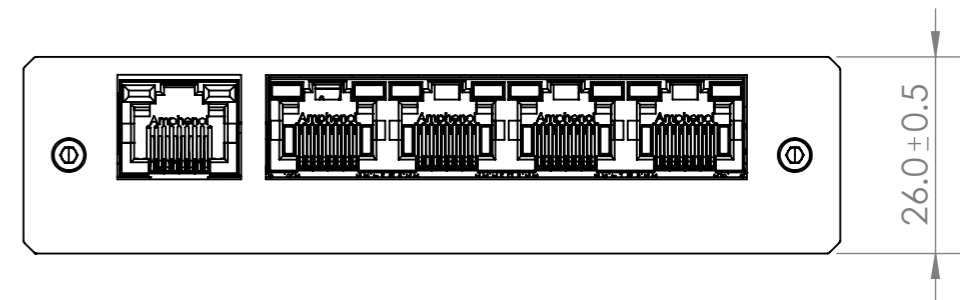
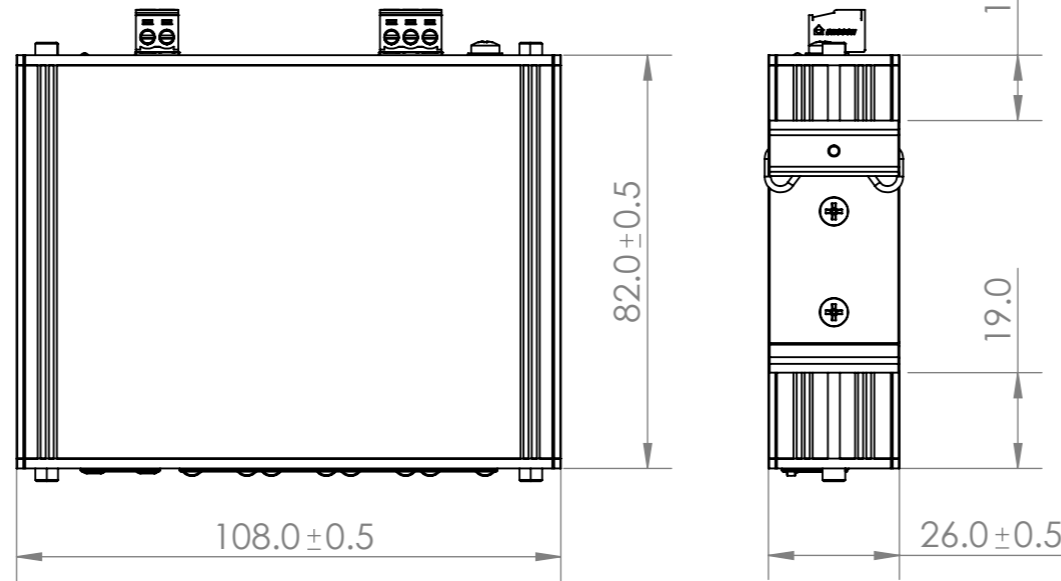
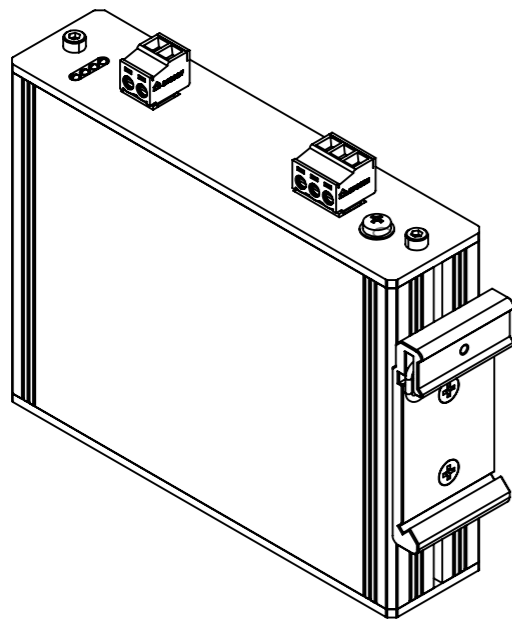


MOUNTING OPTIONS

OPTION 1 (Recommended)



OPTION 2



DO NOT SCALE DRAWING			
REVISION 1.0.2610.0			
NAME	DATE	TITLE:	
DRAWN BY: STEPHANIE N	04/03/2026	CT-1SP5L DIMENSION DRAWING	
UNLESS OTHERWISE SPECIFIED: DIMENSIONS ARE IN MILLIMETERS SURFACE FINISH: MATTE TOLERANCES: ±0.2mm			A.B.N 61 164 165 100 677 HIGH STREET, KEW EAST, VIC 3102 PH: +61 3 8843 0700 E: info@pixeltechnologies.com.au W: www.pixeltechnologies.com.au
WEIGHT:	SCALE: 1:1.5		DWG NO. 1 A3
		SHEET 1 OF 1	