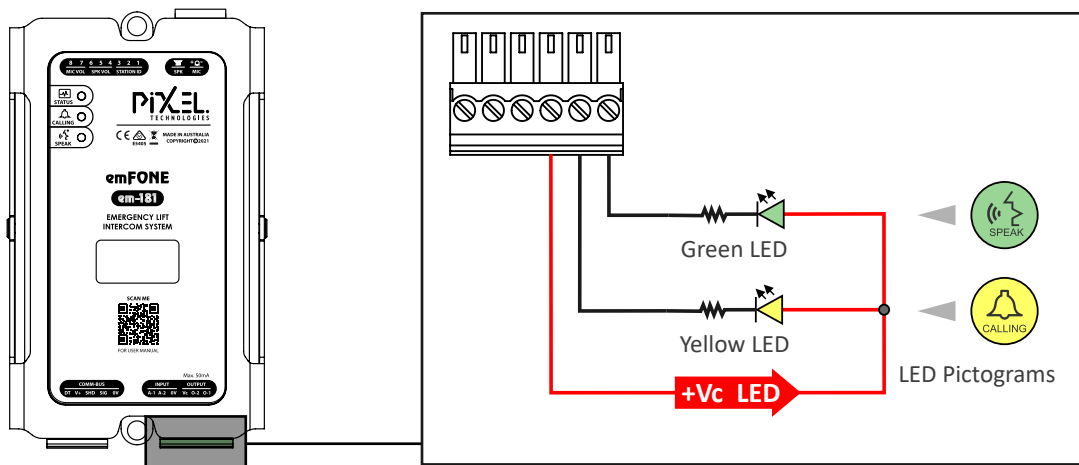

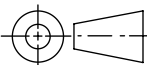


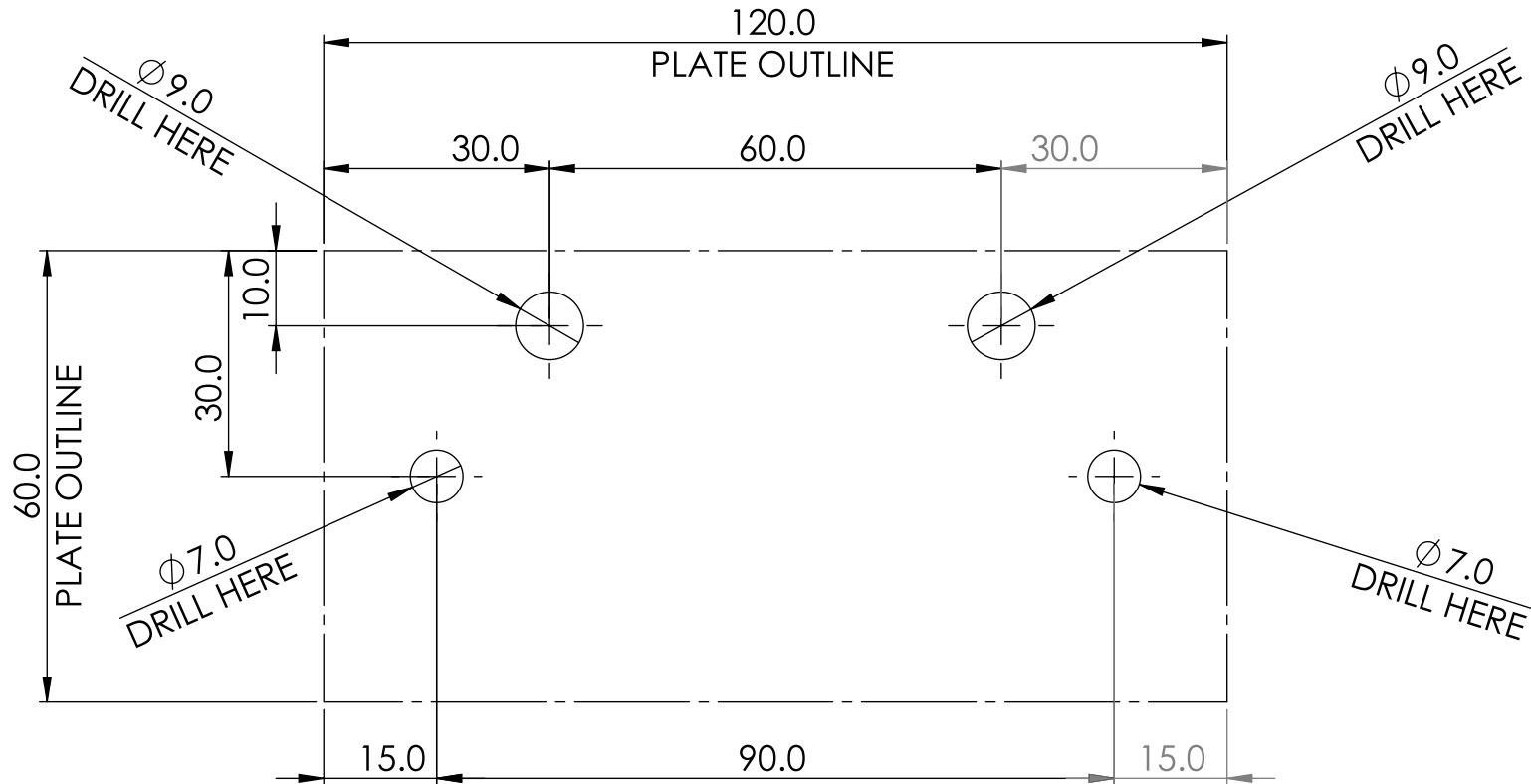
### ASSEMBLY INSTRUCTIONS


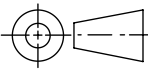
1. **Drill Holes:** Use the drill template to create holes.
2. **Mount Assembly:** Attach the assembly from the front of the COP.
3. **Insert LEDs:** Using the provided LEDs, feed the wiring through the front panel. Push the LEDs through and tighten the mount nut from the back.
4. **Secure Plate:** Use the supplied M4 washers and nuts to fix plate to COP from the rear.
5. **Connect Cabling:** Attach the cabling to the emFONE EM-181/S (see below).



DO NOT SCALE DRAWING			
REVISION 1.0.2439.3			
NAME	DATE	TITLE:	
DRAWN Stephanie N	25/09/2024	<b>CS-CSP-L</b> <b>DIMENSION DRAWING</b>	
UNLESS OTHERWISE SPECIFIED: DIMENSIONS ARE IN MILLIMETERS SURFACE FINISH: NATURAL TOLERANCES: ±0.5MM			A.B.N 61 164 165 100 16 ALEXANDRA PARADE, CLIFTON HILL, VIC 3068 PH: +61 3 8347 9008 E: info@pixeltechnologies.com.au W: www.pixeltechnologies.com.au
WEIGHT:	SCALE:1:1.5	DWG NO. 1 A4 SHEET 1 OF 2	

**COP DRILL TEMPLATE**  
(TRUE SCALE)



DO NOT SCALE DRAWING			 <b>CS-CSP-L</b> <b>DRILL TEMPLATE</b>	
REVISION 1.0.2439.3				
	NAME	DATE	TITLE:	
DRAWN	Stephanie N	25/09/2024		
UNLESS OTHERWISE SPECIFIED: DIMENSIONS ARE IN MILLIMETERS SURFACE FINISH: NATURAL TOLERANCES: ±0.5MM				A.B.N 61 164 165 100 16 ALEXANDRA PARADE, CLIFTON HILL, VIC 3068 PH: +61 3 8347 9008 E: info@pixeltechnologies.com.au W: www.pixeltechnologies.com.au
WEIGHT:			SCALE:1:1	DWG NO. 2 <b>A4</b>
			SHEET 2 OF 2	