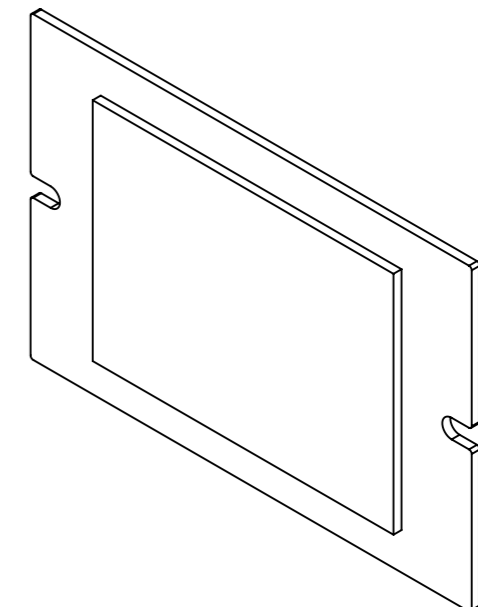
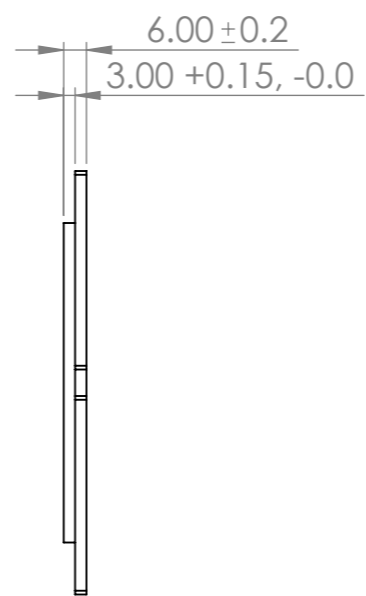
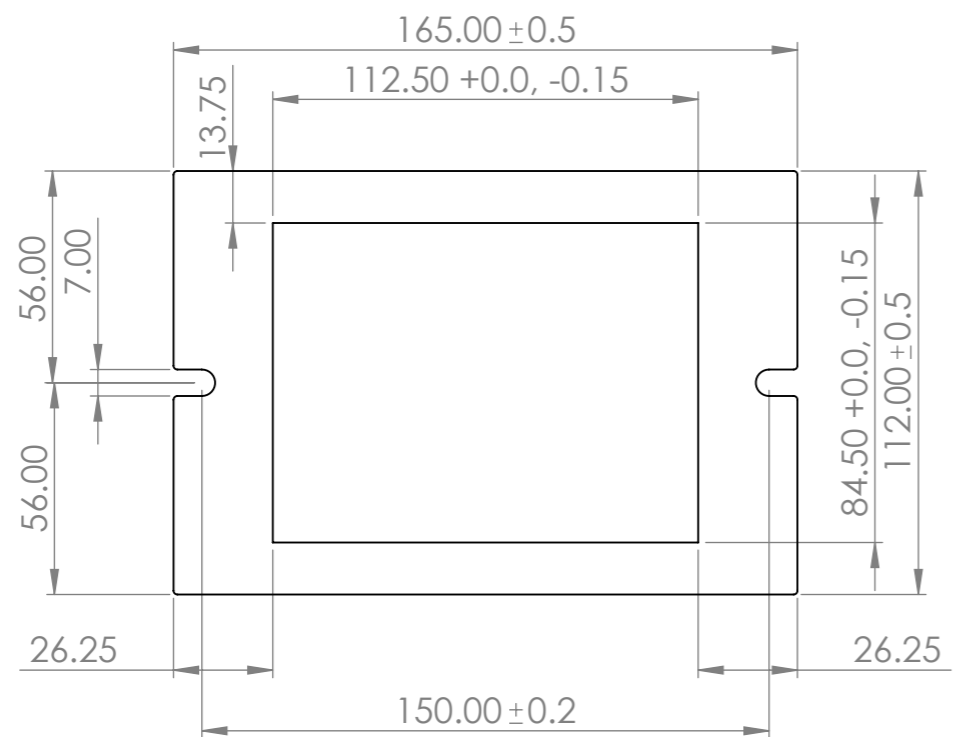
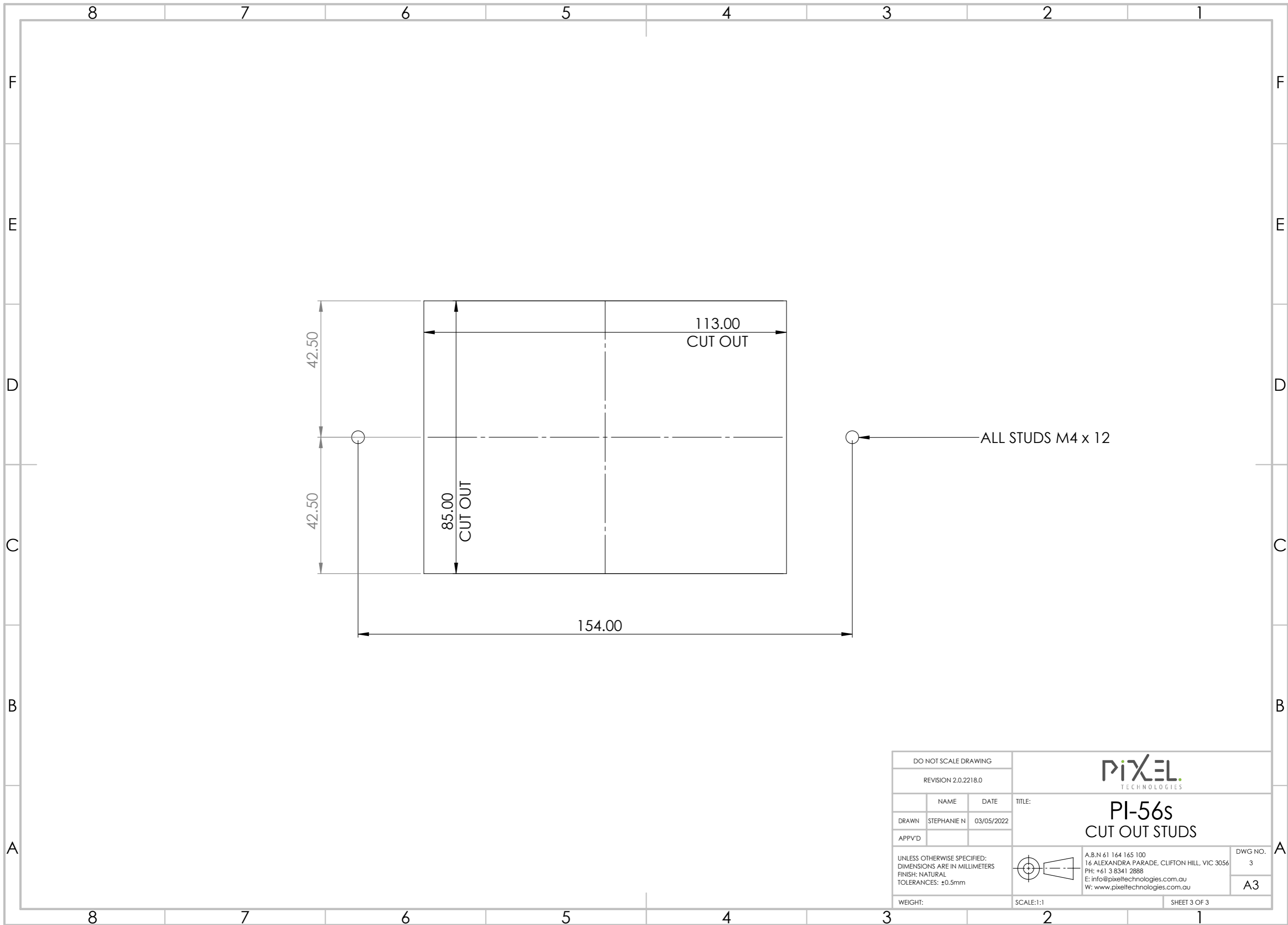


DO NOT SCALE DRAWING			
REVISION 2.0.2218.0			
NAME	DATE	TITLE:	
DRAWN: STEPHANIE N	03/05/2022	PI-56s GA DRAWING	
APPV'D			
UNLESS OTHERWISE SPECIFIED: DIMENSIONS ARE IN MILLIMETERS FINISH: MATTE TOLERANCES: ±0.5mm			A.B.N 61 164 165 100 16 ALEXANDRA PARADE, CLIFTON HILL, VIC 3056 PH: +61 3 8341 2888 E: info@pixeltechnologies.com.au W: www.pixeltechnologies.com.au
WEIGHT:	SCALE: 1:2		DWG NO. 1
		SHEET 1 OF 3	


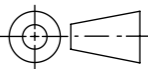


*REBATE FOR 2 - 3MM MOUNTING MATERIAL.
 *CUSTOM REBATE SIZE AVAILABLE UPON REQUEST.

DO NOT SCALE DRAWING				
REVISION 2.0.2218.0				
NAME	DATE	TITLE: PLC_PI-56s CLEAR PLC		
DRAWN	STEPHANIE N 03/05/2022			
APPV'D				
UNLESS OTHERWISE SPECIFIED: DIMENSIONS ARE IN MILLIMETERS FINISH: NATURAL TOLERANCES: ±0.5mm			A.B.N 61 164 165 100 16 ALEXANDRA PARADE, CLIFTON HILL, VIC 3056 PH: +61 3 8341 2888 E: info@pixeltechnologies.com.au W: www.pixeltechnologies.com.au	DWG NO. 2 A3
WEIGHT:	SCALE:1:2		SHEET 2 OF 3	



ALL STUDS M4 x 12

DO NOT SCALE DRAWING				
REVISION 2.0.2218.0				
	NAME	DATE	TITLE:	
DRAWN	STEPHANIE N	03/05/2022	PI-56s CUT OUT STUDS	
APPV'D				
UNLESS OTHERWISE SPECIFIED: DIMENSIONS ARE IN MILLIMETERS FINISH: NATURAL TOLERANCES: ±0.5mm				A.B.N 61 164 165 100 16 ALEXANDRA PARADE, CLIFTON HILL, VIC 3056 PH: +61 3 8341 2888 E: info@pixeltechnologies.com.au W: www.pixeltechnologies.com.au
WEIGHT:				SCALE:1:1
			SHEET 3 OF 3	