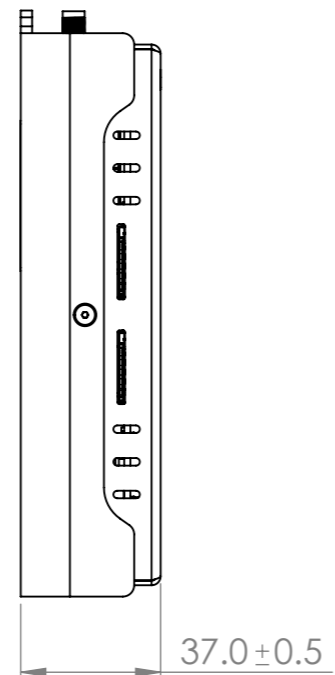
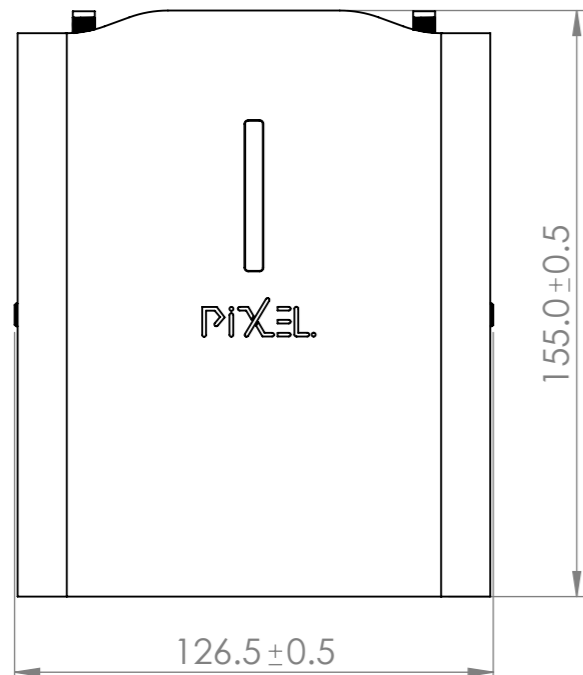
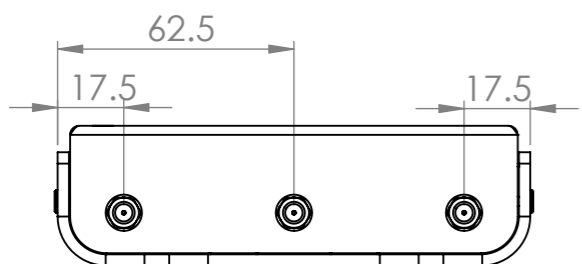


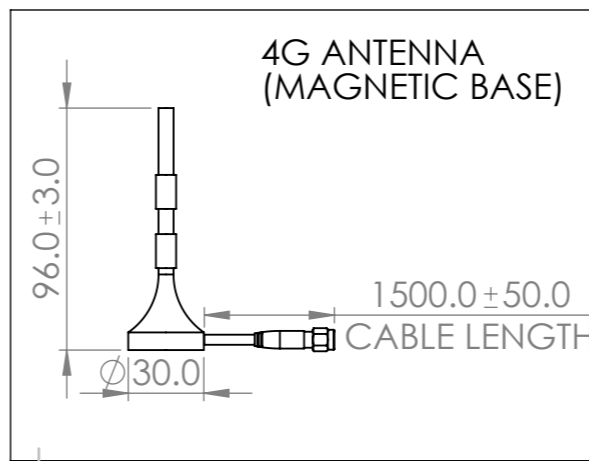
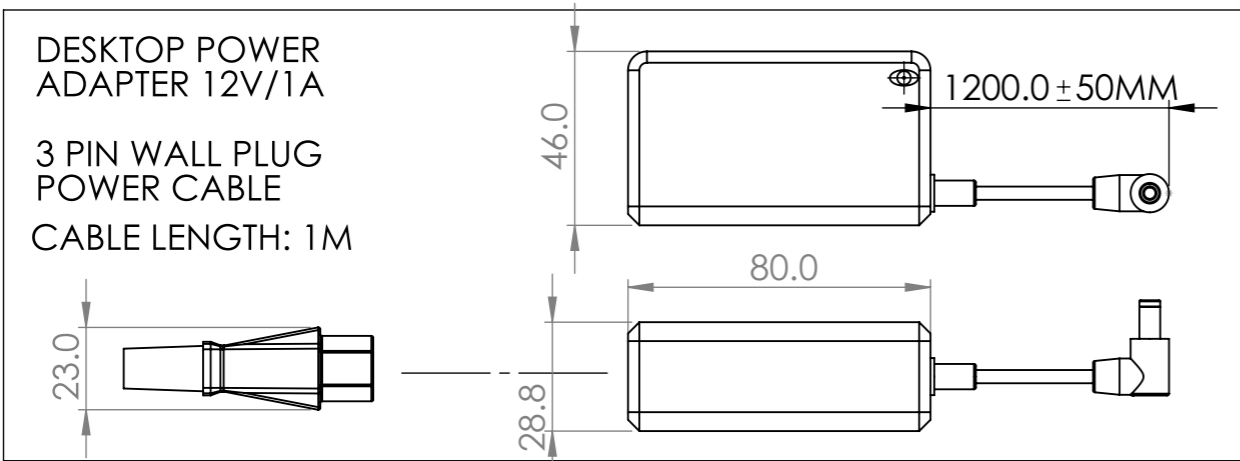
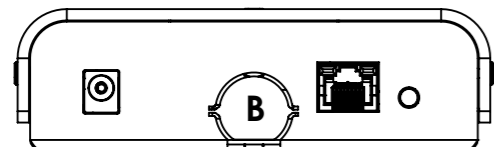
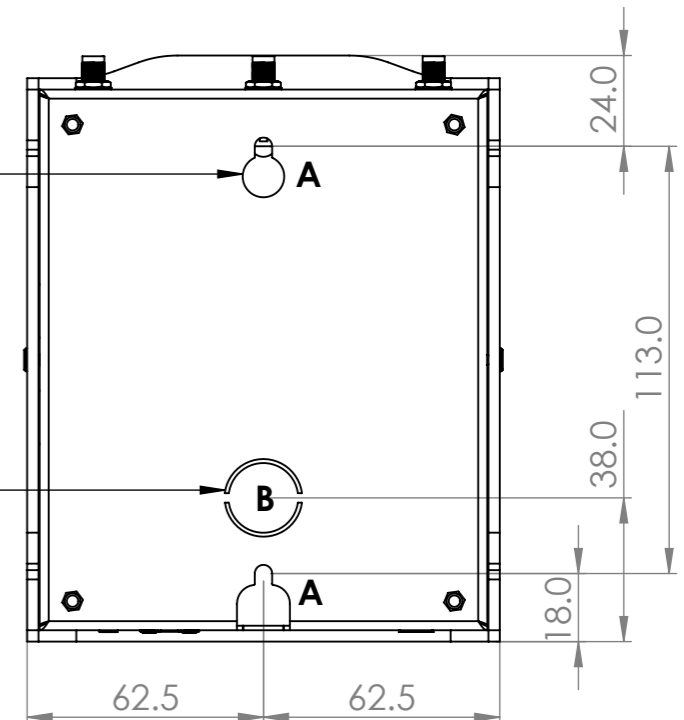
8 7 6 5 4 3 2 1

F  
E  
D  
C  
B  
A



M4 MOUNTING HOLES  
(2PLCS, LABELED "A")

20MM CABLE ENTRY  
(2PLCS, LABELED "B")



DO NOT SCALE DRAWING			
REVISION 2.0.2123.0			
NAME	DATE	TITLE:	
DRAWN: STEPHANIE N	24/11/2020	IoT-HUB-8P DIMENSION DRAWING	
APPV'D		A.B.N 61 164 165 100 16 ALEXANDRA PARADE, CLIFTON HILL, VIC 3056 PH: +61 3 8341 2888 E: info@pixeltechnologies.com.au W: www.pixeltechnologies.com.au	
UNLESS OTHERWISE SPECIFIED: DIMENSIONS ARE IN MILLIMETERS FINISH: MATTE TOLERANCES: ±0.5mm			DWG NO. 1 A3
WEIGHT:	SCALE: 1:2	SHEET 1 OF 1	

8 7 6 5 4 3 2 1