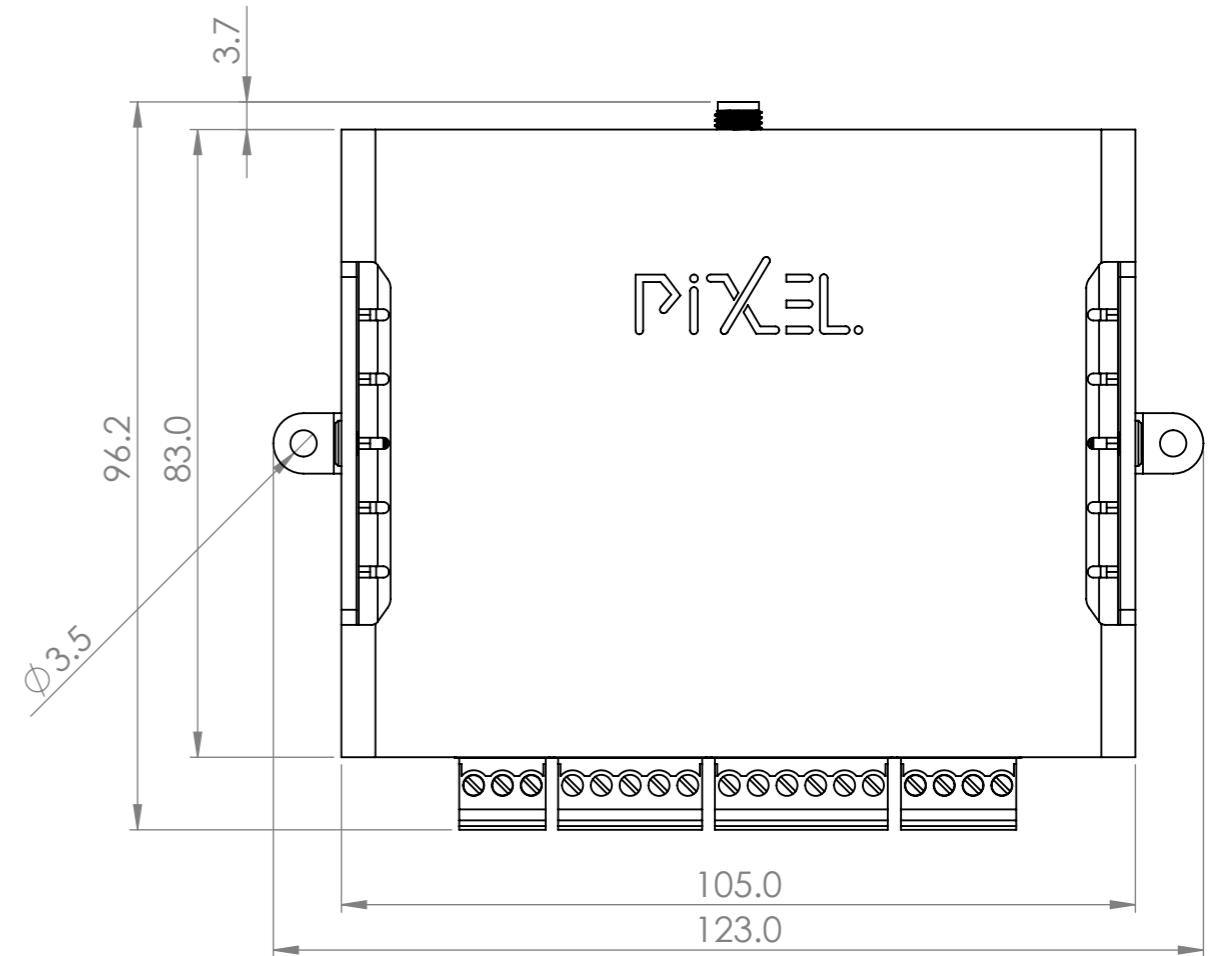
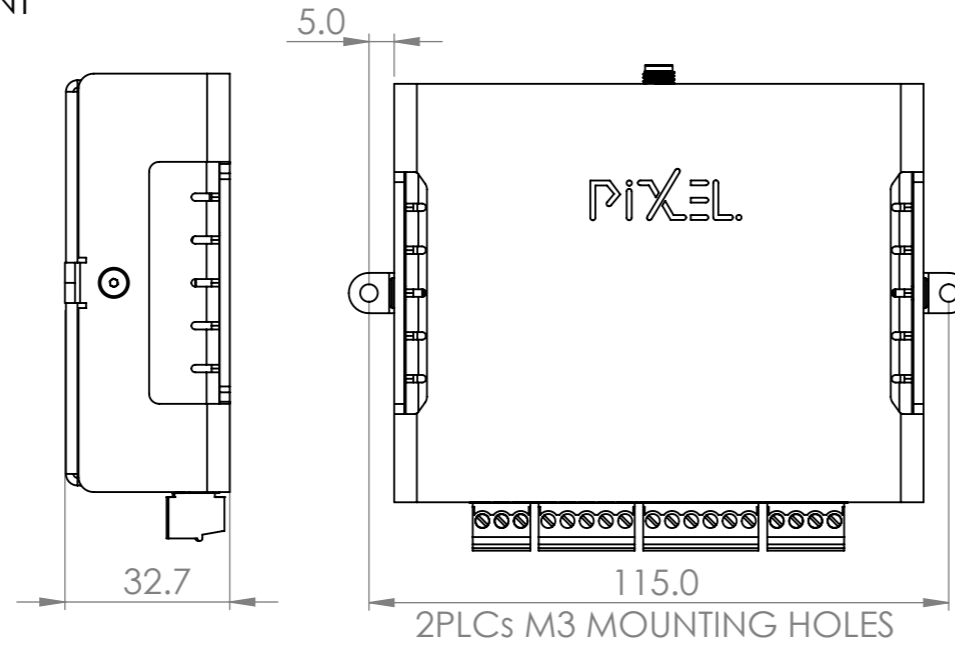
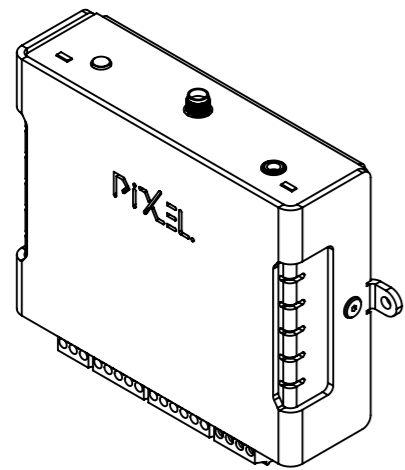


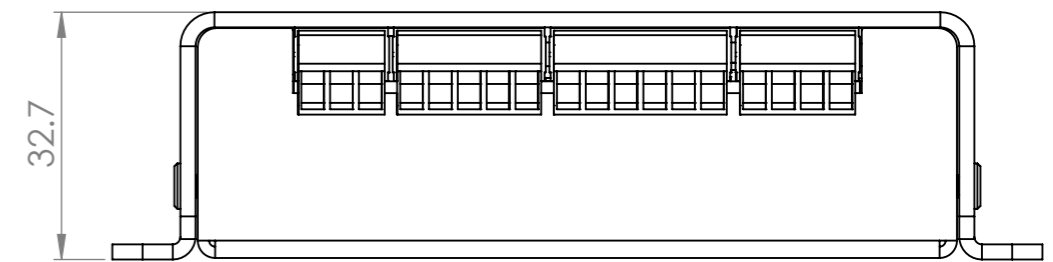
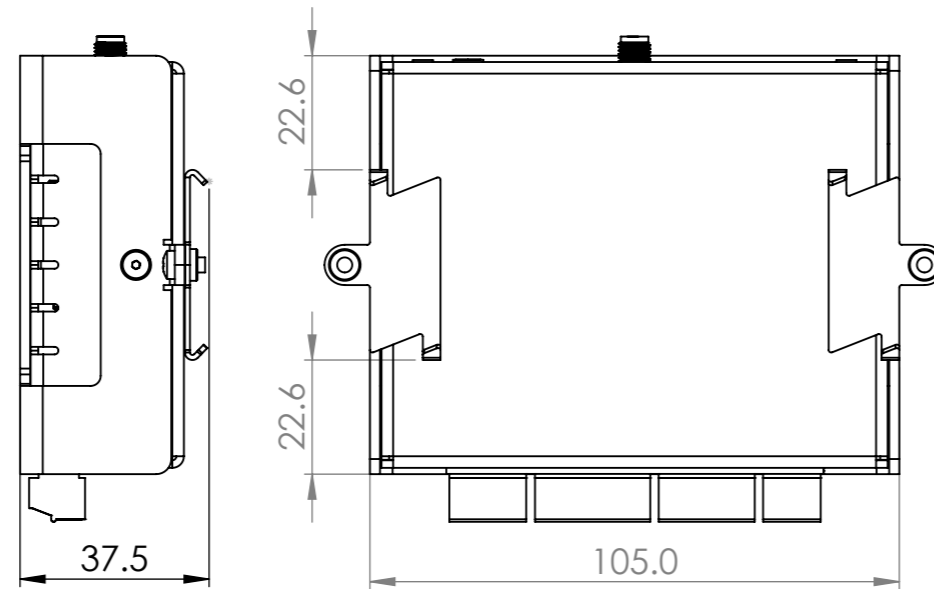
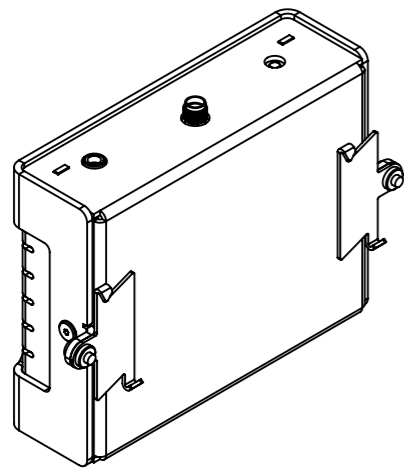
# MOUNTING OPTION

## ① STANDARD WALL-MOUNT



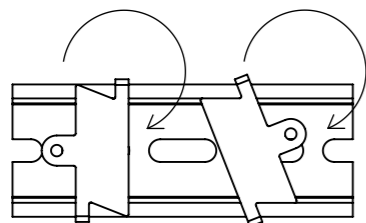
\*ADDITIONAL ITEM UPON REQUEST

## ② DIN-RAIL

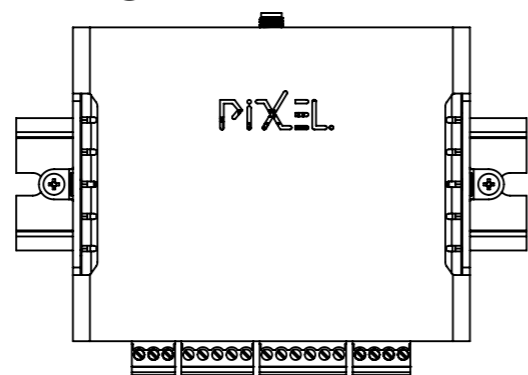


### HOW TO...

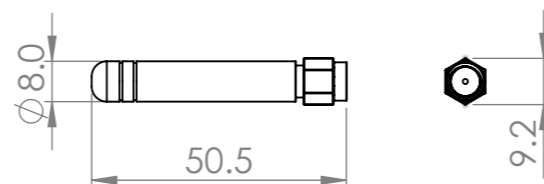
#### ② (A) SPIN



#### (B) POSITION & SCREW



#### LORA ANTENNA



DO NOT SCALE DRAWING				TITLE:
REVISION 1.0.2327.0				
NAME	DATE	A.B.N 61 164 165 100 16 ALEXANDRA PARADE, CLIFTON HILL, VIC 3068 PH: +61 3 8347 9008 E: info@pixeltechnologies.com.au W: www.pixeltechnologies.com.au		
DRAWN	STEPHANIE N	07/07/2023	DWG NO. 1 <b>A3</b>	
UNLESS OTHERWISE SPECIFIED: DIMENSIONS ARE IN MILLIMETERS FINISH: MATTE TOLERANCES: ±0.5MM			SCALE: 1:1.5	SHEET 1 OF 1
WEIGHT:				