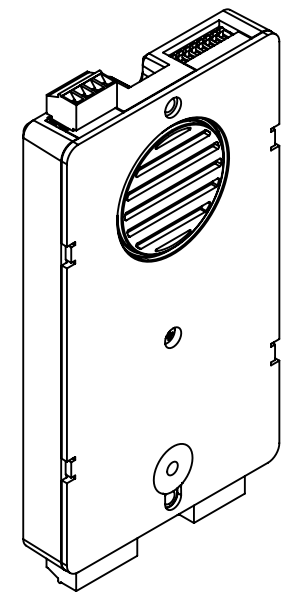


MOUNTING OPTION

① STANDARD



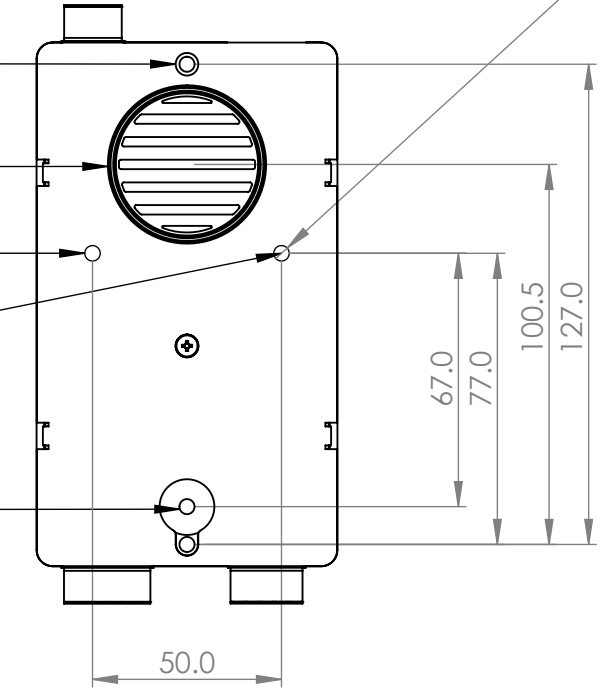
2PLCS, MIN. M3x20 MOUNTING STUDS

SPEAKER

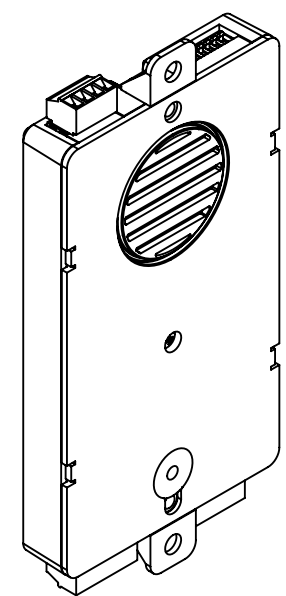
YELLOW LED

GREEN LED

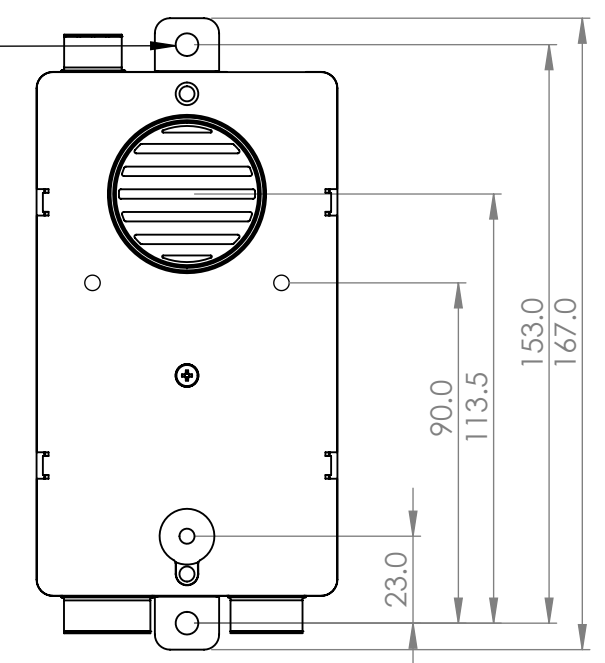
MICROPHONE



② RETRO-FIT



2PLCS, M3 MOUNTING STUDS



DO NOT SCALE DRAWING				TITLE:	EM-181/SL DIMENSION DRAWING
REVISION 2.0.2125.0					
NAME	DATE	A.B.N 61 164 165 100		16 ALEXANDRA PARADE, CLIFTON HILL, VIC 3056	
DRAWN	STEPHANIE N	01/07/2021	PH: +61 3 8341 2888		E: info@pixeltechnologies.com.au
APPV'D			W: www.pixeltechnologies.com.au		A3
UNLESS OTHERWISE SPECIFIED: DIMENSIONS ARE IN MILLIMETERS FINISH: MATTE TOLERANCES: ±0.5mm				SCALE: 1:2	
WEIGHT:		SHEET 1 OF 1			