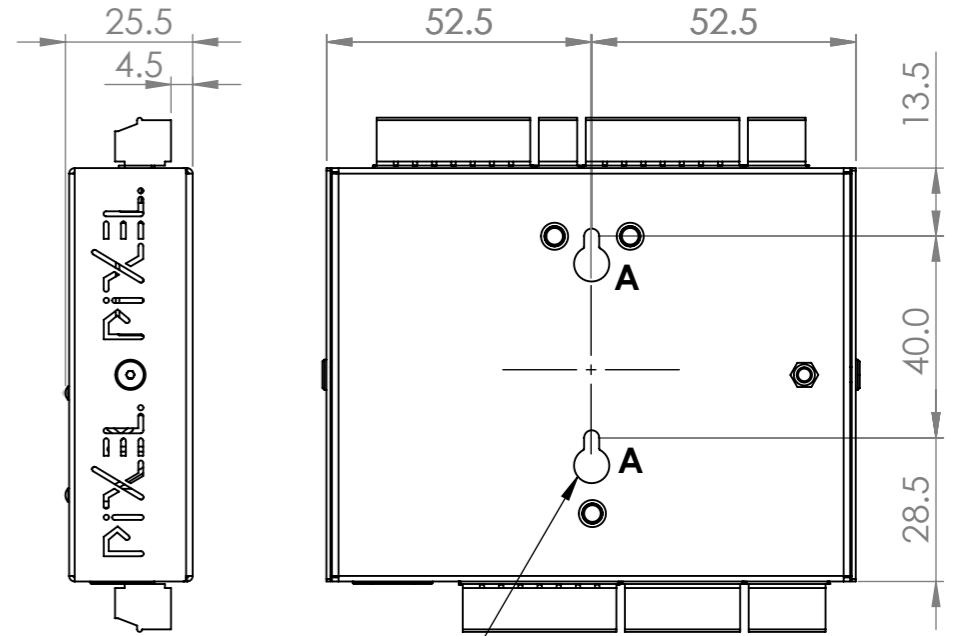
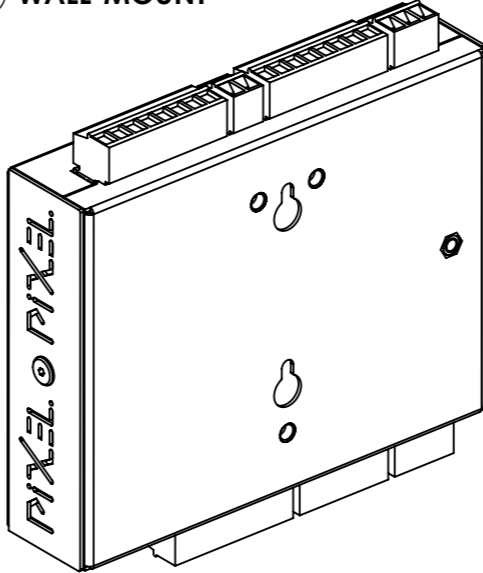


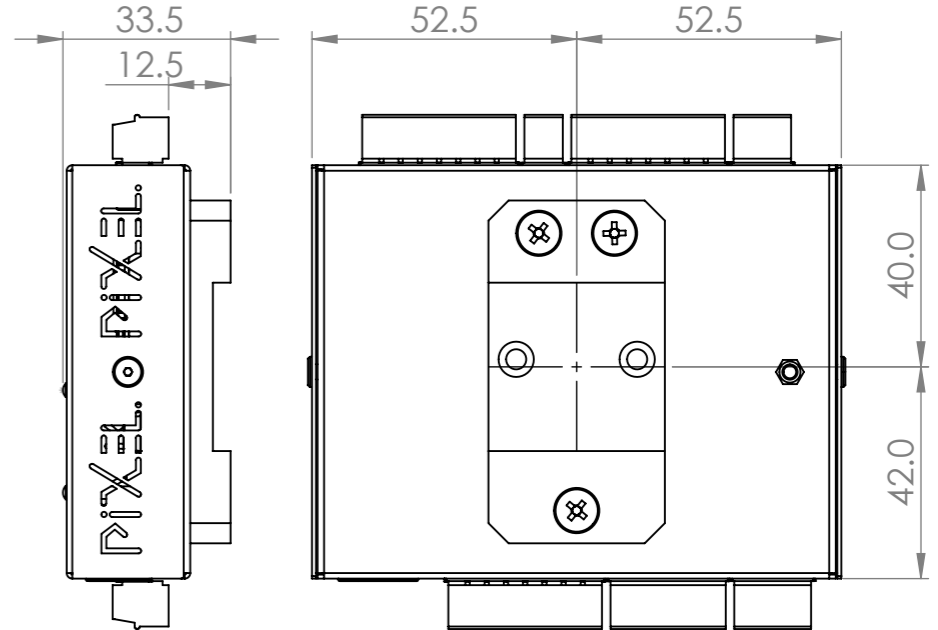
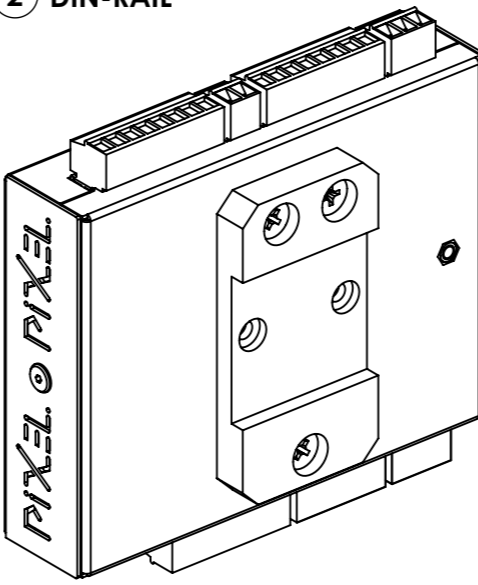
MOUNTING OPTION

① WALL-MOUNT



M3 MOUNTING HOLES (2PLCS, LABELED "A")

② DIN-RAIL



DO NOT SCALE DRAWING			
REVISION 2.0.2144.0			
NAME	DATE	TITLE:	
DRAWN Stephanie N	03/06/2021	CT-E9 DIMENSION DRAWING	
APPV'D			
UNLESS OTHERWISE SPECIFIED: DIMENSIONS ARE IN MILLIMETERS FINISH: MATTE TOLERANCES: ±0.5mm			A.B.N 61 164 165 100 16 ALEXANDRA PARADE, CLIFTON HILL, VIC 3056 PH: +61 3 8341 2888 E: info@pixeltechnologies.com.au W: www.pixeltechnologies.com.au
WEIGHT:	SCALE: 1:1		DWG NO. 1
SHEET 1 OF 1		A3	